

Poliedra-Sky 60 Architectural Envelope Curtain Wall

Manufactured and Distributed by:

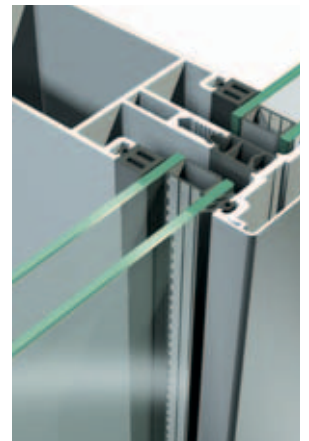
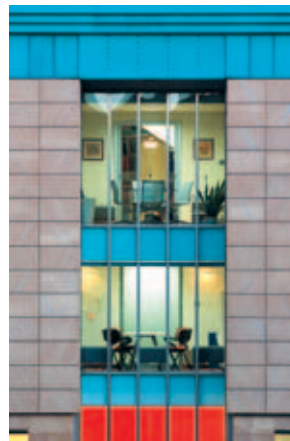


40 Murphy Drive, Avon, MA 02322

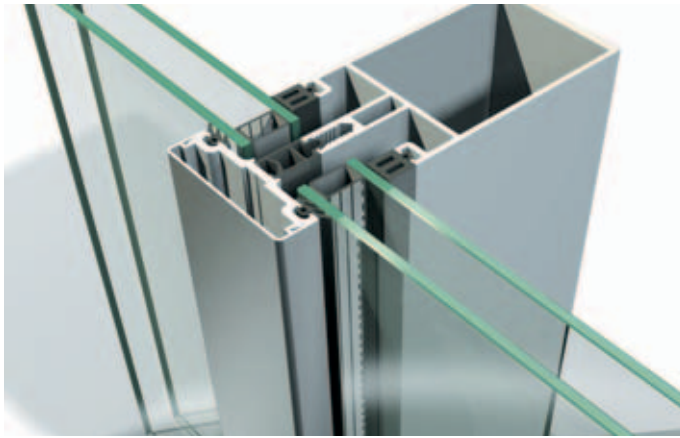
Tel: 508-588-4845 • 800-498-4845

Fax: 508-587-3939

www.archglazing.com



Poliedra-Sky 60



Features

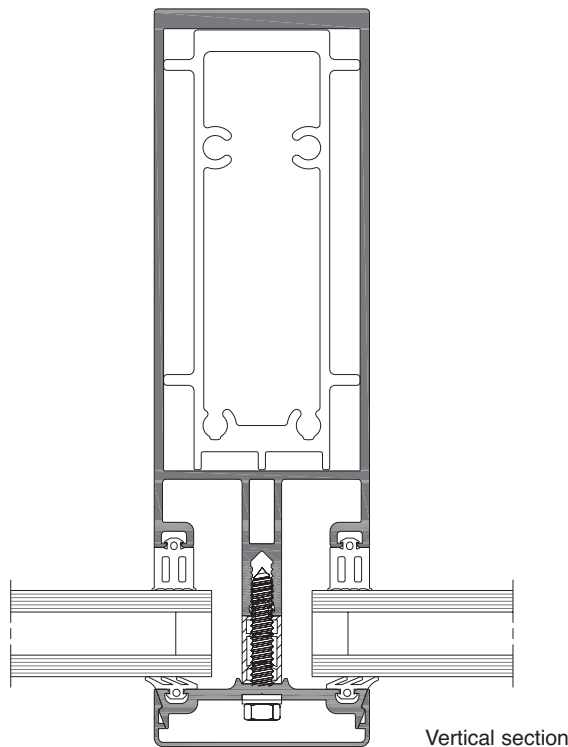
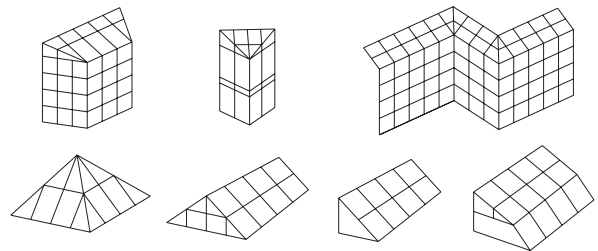
- 6063-T5 Aluminum Alloy Frame
- Mullion Width: 60 mm [2 3/8"]
- Min Mullion Depth: 42 mm [1 5/8"]
- Max Mullion Depth: 250 mm [9 7/8"]
- Min Glass Size: 8 mm [3/8"]
- Max Glass Size: 45 mm [1 3/4"]
- Weather Stripping: EPDM Gaskets
- Glazing Gaskets: EPDM or Silicone
- Thermal Barrier: Polyamide
- Shear Blocks
- Painted or Anodized Finish
- Custom Color
- Dual Finish Available
- Durable Components
- Operable Window Integrated: NC 96 STH
- Solar Shading Systems Integrated

Benefits

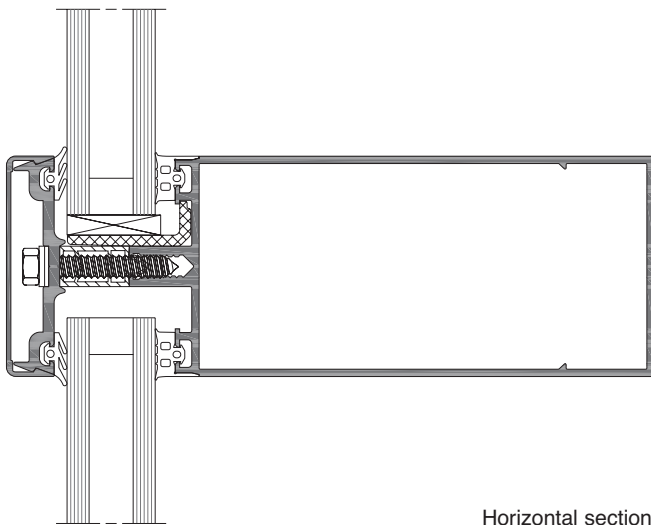
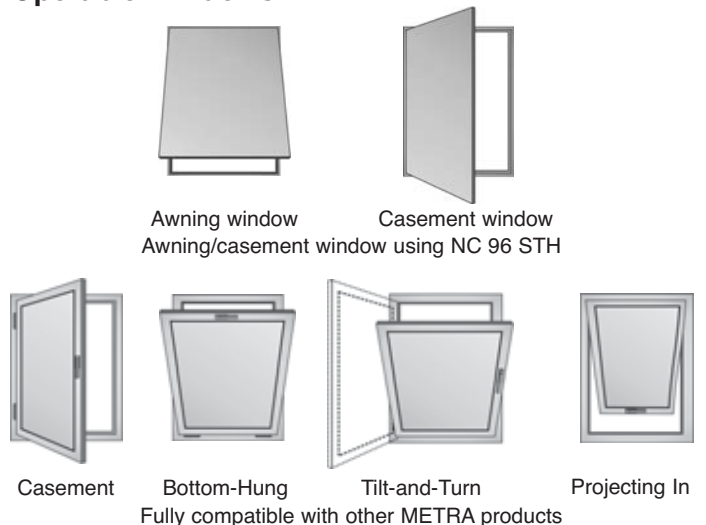
- System Tested to US and Canadian Standards
- Operable System Integrated into Curtain Wall
- Acoustic Insulation
- Thermal Insulation
- Internal Drainage
- Easy Maintenance

Applications

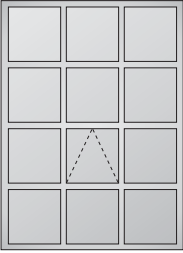
- Low and Mid-rise Buildings
- Storefronts
- Skylights



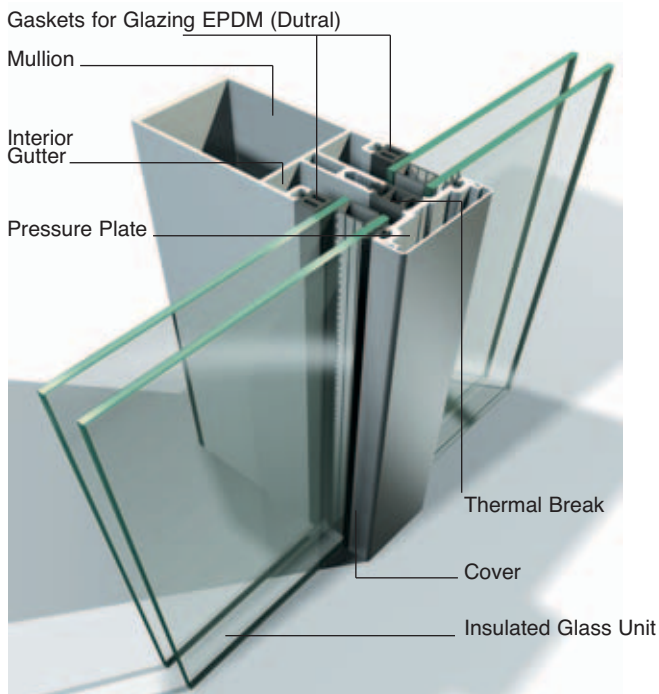
Operable Windows



Performance data

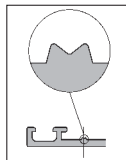
Tested Configuration	Specimen Size	AAMA 501 - 05	
 <p>Poliedra-Sky 60</p>	<p>DP 60</p> <p>Two stories high</p> <p>4260 x 6750 mm [167" x 265"]</p>	Air tightness @ 75 Pa [1.57 psf]	Air tightness @ 300 Pa [6.27 psf]
		Q_{average} : 0.069 L/s.m ² [0.014 ft ³ /min-ft ²]	Q_{average} : 0.192 L/s.m ² [0.038 ft ³ /min-ft ²]
		Static water penetration: ASTM E 331	
		DP 100: 720 Pa [15 psf]	
		Dynamic water penetration: AAMA 501.1	
		No water infiltration under a differential pressure of 720 Pa [15 psf]	
		Structural: ASTM E 330	
		DP 65 - Blow-out pressure: 4309 Pa [90psf]	

Technology



Quality

METRA stands for quality and optimal performance. Only original METRA profiles and accessories can certify the highest performance. Original METRA products have an "M" mark on the interior surface.



METRA quality is certified by ISO 9001. METRA controls the entire process of production for the extrusions. Manufacturing and installation of final products are performed through a network of independent specialists.



Manufactured and Distributed by:



40 Murphy Drive, Avon, MA 02322
Tel: 508-588-4845 • 800-498-4845
Fax: 508-587-3939
www.archglazing.com



METRA
SYSTEMS

METRA Systems
1995 Industrial Blvd. - Laval, QC H7S 1P6, Canada
Tel. +1 450 629 4260 - Fax +1 450 629 7313
info@metrasystem.com
www.metrasystem.com



METRA

METRA S.p.A.
Via Stacca, 1 - 25050 Rodengo Saiano (BS) Italy
Tel. +39 030 6819.1 - Fax +39 030 6819 990
metra@metra.it
www.metra.eu

METRA prints on ecologically friendly paper
and uses printing products with low
environmental impact.



METRA Products

Architectural Envelope

Entrances & Windows

Special Systems

Sliding Systems

Accessories

Printed in September 2009